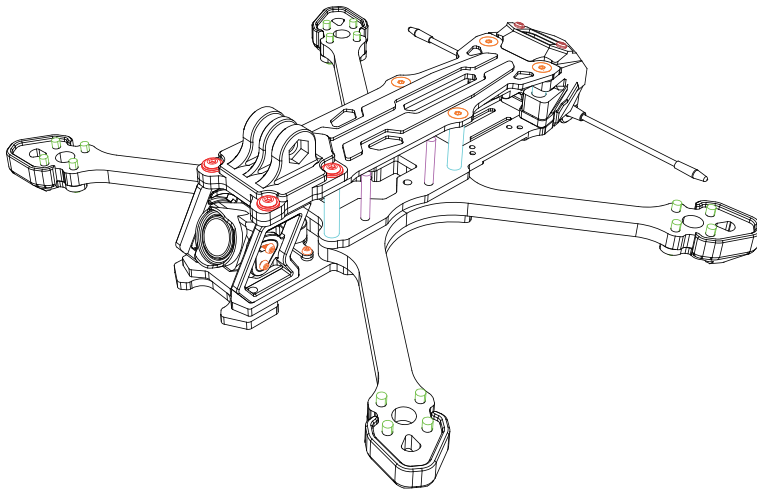
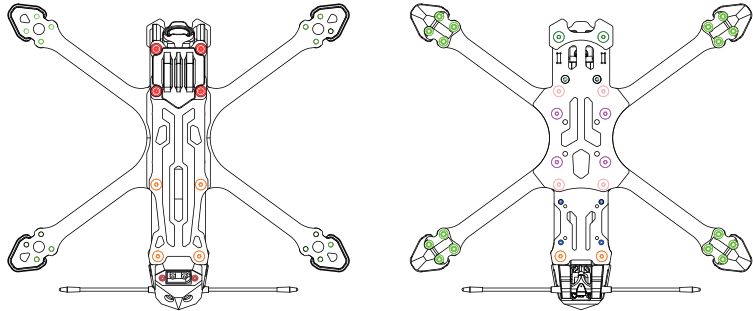


Accessory List



Top Carbon Plate	X1	GoPro Mount 3D Printed Part	X1
Middle Carbon Plate	X1	Beeper Bracket 3D Printed Part	X1
Bottom Carbon Plate	X1	Universal Receiver Antenna Mount 3D Printed Part	X1
Arm	X4	XT60EW-M Male Insulator 3D Printed Part	X1
Protection Plate	X1	Cable Sleeve	X4
Camera Aluminum Mount (L)	X1	AXIS Panda Sticker 1	X1
Camera Aluminum Mount (R)	X1	AXIS Panda Sticker 2	X1
Universal Injection-Molded Foot Pad	X4	Buzzer	X1
Injection-Molded Front Side Plate (R)	X1	Anti-Slip Silicone Battery Strap	X2
Injection-Molded Front Side Plate (L)	X1		
Universal Injection-Molded Rear Side Plate (R)	X1		
Universal Injection-Molded Rear Side Plate (L)	X1		
Battery Anti-Slip Pad (R)	X1		
Battery Anti-Slip Pad (L)	X1		
M2.5*8mm Countersunk Hex Screw	X2		
M2*6mm Button Head Hex Screw	X2		
M3 Nylon Nut	X4		
M3*20mm Aluminum Standoff	X6		
M3*8mm Button Head Hex Screw with Washer	X4		
M3*10mm Button Head Hex Screw	X16		
M3*6mm Countersunk Hex Screw	X6		
M3*10mm Countersunk Hex Screw	X2		
M3*16mm Countersunk Hex Screw	X4		
M3*30mm Countersunk Hex Screw	X4		
M5 Flange Stainless Steel Nut	X1		
M5*20mm Flat Head Hex Stainless Steel Screw	X1		
Custom power cable	X1		

For O4 PRO Version Added

Universal Tail 3D Printed Part	X1
O4 PRO Lens Adapter Aluminum Part (R)	X1
O4 PRO Lens Adapter Aluminum Part (L)	X1
O4 Lite Camera Spacer 3D Printed Part	X2
M2*3mm Countersunk Hex Screw	X4
M2*5mm Button Head Hex Screw	X4
M2*10mm Button Head Hex Screw	X4

For Analog/O4 Lite Version Added

Universal Tail 3D Printed Part	X1
O4 Lite Camera Spacer 3D Printed Part	X2
Camera Spacer 3D Printed Part	X2
M2*5mm Button Head Hex Screw	X4
M2*6mm Button Head Hex Screw	X4
M2*10mm Button Head Hex Screw	X4

For O3 Version Added

Universal Tail 3D Printed Part	X1
M1.6*8mm Cup Head Hex Screw	X4
O3 Camera Spacer	X2
M2*5mm Button Head Hex Screw	X4

Frame parameters

Wheelbase	223mm
Supported Prop Size	Max 5.1"
Stack installation	20mm(M3)&30.5mm(M3)
Motor Installation	16mm*16mm/M3
Camera Installation	14-20mm
Max Stack Height	20mm
carbon fiber plate	T700
Top plate thickness	2mm
center plate thickness	3mm
Bottom plate thickness	3mm
Arm Thickness	5.5mm
VTX Installation	20mm&25.5mm(M2)
Frame Weight	155+5g(Includes printouts)